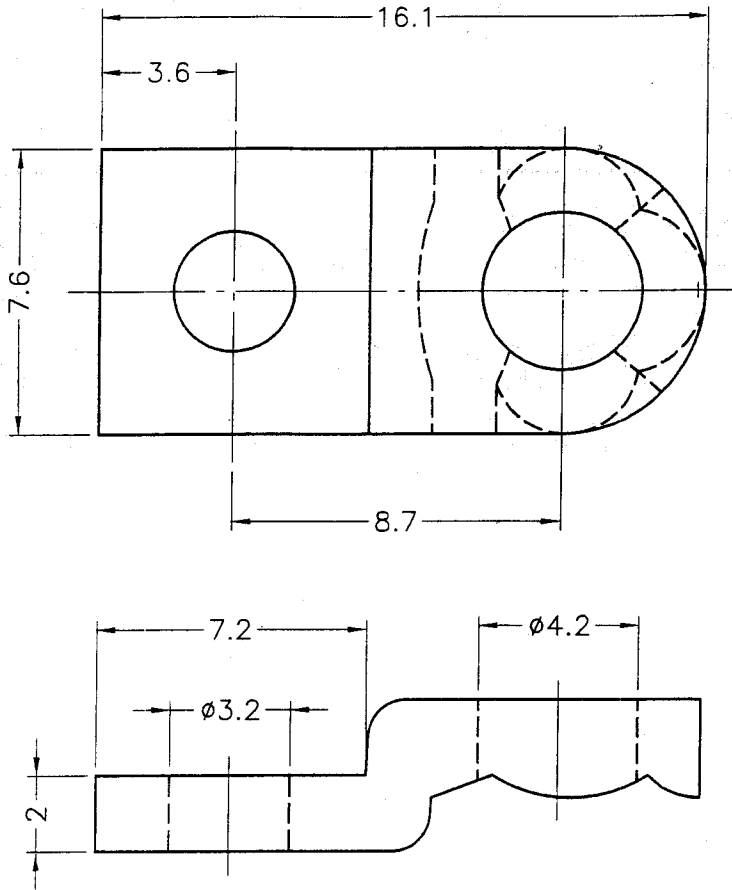


| 成型尺寸     | 公差   |
|----------|------|
| 5mm 以下   | ±0.2 |
| 5~20mm   | ±0.3 |
| 20~40mm  | ±0.4 |
| 40~60mm  | ±0.5 |
| 60~100mm | ±0.8 |
| 100mm 以上 | ±1.0 |

| REVISIONS |             |      |    |
|-----------|-------------|------|----|
| REV       | DESCRIPTION | DATE | BY |
|           |             |      |    |
|           |             |      |    |



QMFZ2 Component - Plastics

Friday, October 24, 2003

E235269

NAN YA PLASTICS (HUI ZHOU) CORP LTD  
YONGSHI DA DAO SHI WAN TOWN HUIZHOU GUANGDONG CHINA

Material Designation: **1403G6**

Product Description: Polybutylene Terephthalate (PBT), furnished as pellets.

| Color | Min. Thick. (mm) | Flame Class | HWI | HAI | RTI Elac | RTI Imp | RTI Str | IEC GWIT | IEC GWFI |
|-------|------------------|-------------|-----|-----|----------|---------|---------|----------|----------|
| ALL   | 0.75             | V-0         | 3   | 0   | 130      | 130     | 140     | -        | -        |
|       | 1.5              | V-0         | 2   | 0   | 130      | 130     | 140     | -        | -        |
|       | 3.0              | V-0         | 2   | 0   | 130      | 130     | 140     | -        | -        |

CTI: 2

HVTR: 1

D495: 6

IEC Bell Pressure (°C): -

Dielectric Strength (KV/mm): -

ISO Tensile Strength (MPa): -

ISO Tensile Impact (kJ/m<sup>2</sup>): -

Volume Resistivity (10<sup>9</sup>ohm-cm): -

ISO Flexural Strength (MPa): -

ISO Izod Impact (kJ/m<sup>2</sup>): -

Dimensional Stability(%): -

ISO Heat Deflection (°C): -

ISO Charpy Impact (kJ/m<sup>2</sup>): -

Report Date: 4/23/2003

Underwriters Laboratories Inc®

UL94 small-scale test data does not pertain to building materials, furnishings and related contents. UL 94 small-scale test data is intended solely for determining the flammability of plastic materials used in components and parts of end-product devices and appliances, where the acceptability of the combination is determined by ULI.



|  |                |                                      |               |        |            |
|--|----------------|--------------------------------------|---------------|--------|------------|
| <p>康揚企業股份有限公司<br/>KANG YANG HARDWARE ENTERPRISE CO., LTD.<br/>東莞康揚塑膠五金電子廠<br/>DONG GUAN KANG YANG PLASTIC HARDWARE COMPANY<br/>康哲電腦配件(吳江)有限公司<br/>KANG CHE COMPUTER COMPONENTS(WUJIANG) CO.,LTD.</p> |                | TITLE                                | 零件墊片(BRACKET) | 產品規格圖面 |            |
|  |                | MATERIAL                             | P.B.T UL94V-0 | DATE   | 2002.11.01 |
|  |                | FINISH                               |               | DRAWN  | S.J.C.     |
|  |                | COLOR                                | WHITE         | CHECK  |            |
| PART NUMBER  | DRAWING NUMBER | UNLESS OTHERWISE SPECIFIED TOLERANCE | APPROVED      |        |            |
| PH-3   | PH-3           | SEE ABOVE                            |               |        |            |
| SIZE   | SCALE          | UNIT                                 | REV           |        |            |
| A4   | 5:1            | mm                                   | A             |        |            |