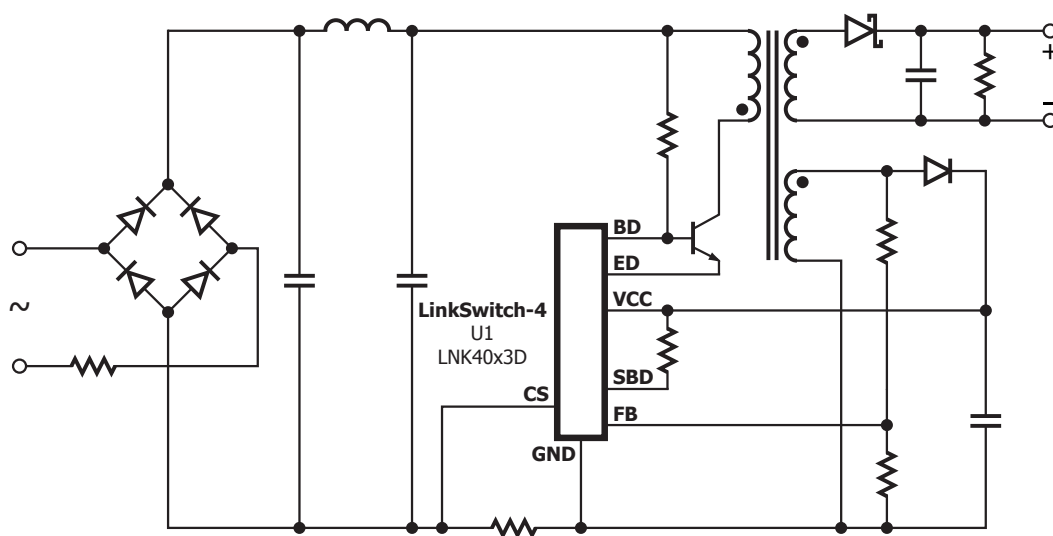


LinkSwitch™-4

- Eliminates optocouplers and CV/CC control circuitry
- Emitter switch driver dramatically reduces sensitivity to bipolar junction transistor (BJT) gain
- No-load consumption <30 mW
- Meets DoE 6 and CoC V5

Accurate Primary-Side Regulated CV/CC Switcher for Adapters and Chargers



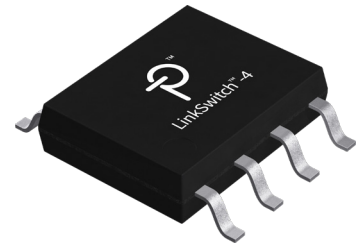
PI-7464-010815

Applications

- Cell phones
- Cordless phones
- Adapters up to 18 W

Output Power

Product	85-265 VAC	
	Features	Adapter / Open Frame (W)
LNK40x2S	STD	6.5
LNK40x3S	STD	8
LNK40x3D	STD	10
LNK40x4D	STD	15
LNK4114D	Easy Start	15
LNK4214D	Easy Start + Constant Power	15
LNK4115D	Easy Start	18
LNK4215D	Easy Start + Constant Power	18



SO-8 (D package),
SOT-23-6 (S package)

Design Support

Data Sheet	LinkSwitch-4 data sheet (www.power.com/linkswitch-4-data-sheet)
Application Note	LinkSwitch-4 design guide (AN-69) (www.power.com/an-69)
Design Example	10 W CV/CC USB charger (RDR-462) (www.power.com/rdr-462)
Design Example	18 W CV / CC universal input, isolated flyback converter (DER-554) (www.power.com/der-554)